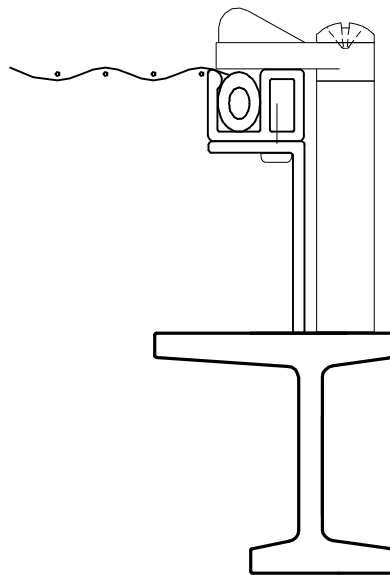
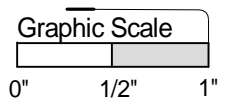


**1 JAMB DETAIL**  
 SCALE: FULL  
 HEAD and SILL SIMILAR



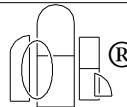
**1 JAMB DETAIL with CLIP**  
 SCALE: FULL  
 HEAD and SILL SIMILAR



PRODUCT  
**BUILD-OUT SCREEN**  
**S-121 FRAMING**

DWG. NO.

**I-23**



**Allied Window**  
 Performance Panels®

11111 CANAL ROAD • CINCINNATI, OH 45241 • PH: 800-445-5411, 513-559-1212 • FAX: 513-559-1883 • www.alliedwindow.com • info@alliedwindow.com